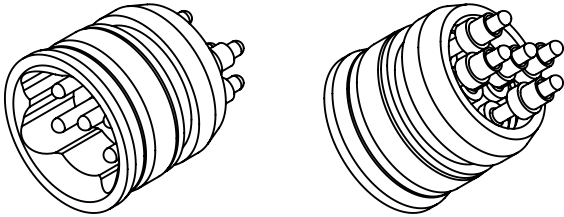
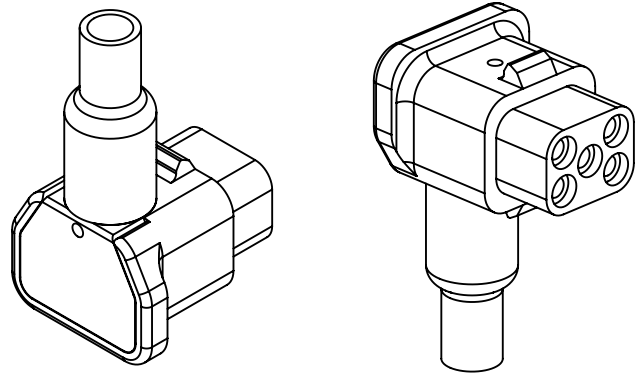


The Wakizashi™ port and plug allow for quick and secure connection of remote switches, external power supplies, or other devices.



Wakizashi™ Port

NOMINAL CHARACTERISTICS	
Part Number	BEM-ACCS-WPT-0010
Dimensions	0.56" Long x 0.45" Dia (14.2mm x 11.4mm)
Weight	0.035oz (1g)
Environmentally Sealed	Waterproof to 20m up to 2 hrs.



Wakizashi™ Plug

NOMINAL CHARACTERISTICS	
Part Number	BEM-ACCS-WPG-0010
Dimensions	0.57" x 0.56" x 0.73" (14.5mm x 6.9mm x 18.6mm)
Weight	0.042oz (1.2g)
Environmentally Sealed	Waterproof to 1m up to 30 min.

FEATURES

- 5 pins for serial data, discrete I/O, or DC power supply.
- Symmetrical design for reversible mounting.
- Easy to clean port, resists mud and dust buildup and can be washed out with water.