



LONG-RANGE CLARITY. ZERO COMPROMISE.



The B.E. Meyers, & Co.[™] KIJI[®] is the most powerful modular VCSEL infrared illuminator available, delivering the elite, grain-free performance of the MAWL[®]-DA in a compact and versatile form factor. With outputs up to 350mw and four programmable power levels, it utilizes precision VCSEL technology and quick-change diffusers to punch through photonic barriers or flood interior spaces with flawless clarity. Engineered for seamless integration, the KIJI[®] is fully compatible with standard 300-series light bodies and remote switching, allowing you to deploy world-class illumination across weapon, helmet, or handheld platforms using the hardware you already trust.

Part Number: **KIJI-K1**

20260428 | Copyright ©2026 B.E. Meyers & Co., Inc.

KIJI is a trademark of B.E. Meyers & Co., Inc.

Important legal information pertaining to the patents and trademarks owned by B.E. Meyers & Co., Inc. is available at www.bemeyers.com/ip.

All products displayed are subject to U.S. Law, including export control regulations, et al. Export licensing may be required.



CAGE: 6U501
UEI: XVUVLU5FK1X9

To purchase or for info, contact:
+1.425.881.6648
SALES@BEMEYERS.COM



Proudly made in the USA

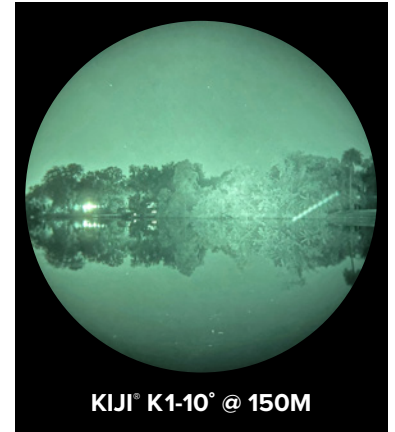
WWW.BEMEYERS.COM

UNMATCHED POWER & MODULAR VERSATILITY

Available in two distinct configurations, the KIJI[®] series offers mission-specific flexibility. Whether you are running the precision K1-3[°] or the high-output K1-10[°], the included 10[°] diffuser allows for instant adjustment of your beam profile. The result is an adaptable professional-grade illuminator that adapts to any platform and easily overcomes photonic barriers.

Key Advantages

- **Modular by Design:** KIJI[®] is fully compatible and interchangeable with most common CR123 300 series white light bodies and mounts. This allows for near-endless versatility across handheld, helmet, weapon, vehicle, or aircraft-mounted applications.
- **Seamless Integration:** Designed to work with the parts you already know, KIJI[®] supports your preferred aftermarket mounting hardware and remote switching options. Adoption is simple, allowing you to maintain your existing training and muscle memory.
- **Scalable & Economical:** The KIJI[®] can easily be combined with existing white lights or laser systems to bring best in class NIR laser illumination to any system - providing a scalable and low barrier to entry solution.



Professional-Grade Programmability

- Programmability is at the core of the KIJI[®] system. With 32 user-selectable modes and four Power Levels (PLs), you can customize your activation configuration to ensure optimal performance at the touch of a button.
- **4 Single Power Modes:** Dedicated access to any of the four output levels.
- **22 Cycled Modes:** For rapid manipulation between two, three, or four output options.
- **6 Toggled Modes:** For deliberate, tactical switching between two specific output settings.

Part Number: **KIJI-K1**

TECHNICAL INFORMATION	
Dimensions	4.25" L x 1" W x 1" H
Power Source	3V CR123A Battery (Qty. 1)
Weight	2.5 oz without battery
KIJI K1-3	
Max Output	150mW
Default Divergence	3 [°]
Divergence with Included Diffuser	10 [°]
KIJI K1-10	
Max Output	350mW
Default Divergence	10 [°]
Divergence with Included Diffuser	40 [°]





B.E. MEYERS
ADVANCED PHOTONICS

INFORMATION SHEET

KIJI[®]

INFRARED LASER ILLUMINATION TOOL



20260428 | Copyright ©2026 B.E. Meyers & Co., Inc.

KIJI is a trademark of B.E. Meyers & Co., Inc.

Important legal information pertaining to the patents and trademarks owned by B.E. Meyers & Co., Inc. is available at www.bemeyers.com/ip.

All products displayed are subject to U.S. Law, including export control regulations, et al. Export licensing may be required.



CAGE: 6U501

UEI: XVUVLU5FK1X9

To purchase or for info, contact:

+1.425.881.6648

SALES@BEMEYERS.COM



Proudly made in the USA

WWW.BEMEYERS.COM



The B.E. Meyers™ KIJI[®] is a high-output, modular VCSEL infrared illuminator that mirrors the grain-free performance of the MAWL[®] in a smaller, compact form-factor. Delivering up to 350mW across four programmable power levels, the system utilizes advanced VCSEL technology to produce a clean, artifact-free beam capable of defeating photonic barriers or providing uniform interior flooding.

Built for mission-specific adaptability, the KIJI[®] is fully compatible with standard 300-series light bodies and remote switching, allowing for seamless deployment for weapon mounted, helmet borne, or handheld applications.

Available in two configurations, KIJI[®] K1-3° and K1-10°, each unit includes a quick-deploy diffuser to instantly adjust the beam profile.



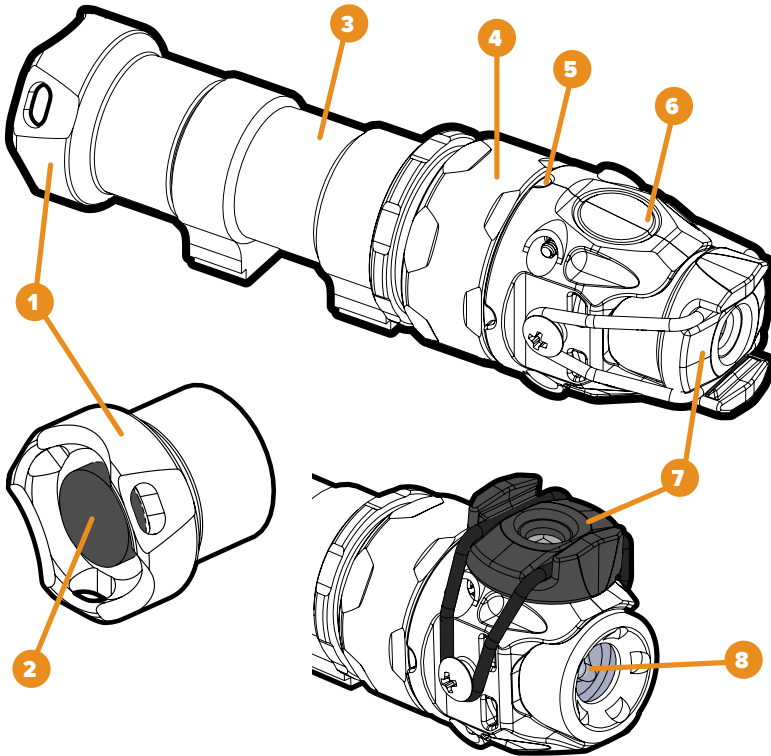
FEATURES:

- **Programmable Modality:** A programmable interface allows the user to choose between 32 different combinations of the Kiji's 4 power levels, allowing for rapid output selection tailored to specific mission requirements.
- **Universal Compatibility:** Fully interchangeable with standard 300-series light bodies and aftermarket mounts; supports seamless integration with preferred remote switching on weapon, helmet, or vehicle platforms.
- **High-Performance VCSEL:** A Class 3R laser providing grain-free illumination (up to 150mW for the 3° and 350mW for the 10°) with quick-change diffusers for instant beam divergence adjustment.
- **Scalable Integration:** Designed to bring best-in-class high output IR illumination to any platform to increase capabilities.



Controls:

- | | |
|----------------------|--------------------|
| 1. Tail Cap | 5. Indicator Light |
| 2. Activation Button | 6. Head Unit |
| 3. Arisaka Body | 7. Diffuser Cap |
| 4. Cowling Cover | 8. Aperature |



NOMINAL CHARACTERISTICS			
Dimensions		4.25" L x 1" W x 1" H	
Power Source		3V CR123A Battery (Qty. 1)	
Weight		2.5 oz without battery	
KIJI K1-3			
Max Output		150mW	
Default Divergence		3°	
Divergence with Included Diffuser		10°	
CLASS 1		CLASS 3R	
PL1	PL2	PL3	PL4
5mW	15mW	85mW	150mW
KIJI K1-10			
Max Output		350mW	
Default Divergence		10°	
Divergence with Included Diffuser		40°	
CLASS 1			CLASS 3R
PL1	PL2	PL3	PL4
5mW	15mW	85mW	350mW

KIJI[®] K1-3° : 3 Degree Beam



KIJI[®] K1-10° : 10 Degree Beam

